



DEPARTMENT OF REGULATORY AND ECONOMIC RESOURCES (RER)
BOARD AND CODE ADMINISTRATION DIVISION

MIAMI-DADE COUNTY
PRODUCT CONTROL SECTION
11805 SW 26 Street, Room 208
Miami, Florida 33175-2474
T (786) 315-2590 F (786) 315-2599
www.miamidade.gov/economy

NOTICE OF ACCEPTANCE (NOA)

Tri-Built Materials Group, LLC
P.O. Box 70
Rutherford, N.J. 07070

SCOPE:

This NOA is being issued under the applicable rules and regulations governing the use of construction materials. The documentation submitted has been reviewed and accepted by Miami-Dade County RER - Product Control Section to be used in Miami-Dade County and other areas where allowed by the Authority Having Jurisdiction (AHJ).

This NOA shall not be valid after the expiration date stated below. The Miami-Dade County Product Control Section (in Miami-Dade County) and/or the AHJ (in areas other than Miami-Dade County) reserve the right to have this product or material tested for quality assurance purposes. If this product or material fails to perform in the accepted manner, the manufacturer will incur the expense of such testing and the AHJ may immediately revoke, modify, or suspend the use of such product or material within their jurisdiction. RER reserves the right to revoke this acceptance, if it is determined by Miami-Dade County Product Control Section that this product or material fails to meet the requirements of the applicable building code.

This product is approved as described herein, and has been designed to comply with the Florida Building Code including the High Velocity Hurricane Zone of the Florida Building Code.

DESCRIPTION: Tri-Built Internally Braced Wind Turbine

LABELING: Each unit shall bear a permanent label with the manufacturer's name or logo, city, state and following statement: "Miami-Dade County Product Control Approved", unless otherwise noted herein.


RENEWAL of this NOA shall be considered after a renewal application has been filed and there has been no change in the applicable building code negatively affecting the performance of this product.

TERMINATION of this NOA will occur after the expiration date or if there has been a revision or change in the materials, use, and/or manufacture of the product or process. Misuse of this NOA as an endorsement of any product, for sales, advertising or any other purposes shall automatically terminate this NOA. Failure to comply with any section of this NOA shall be cause for termination and removal of NOA.

ADVERTISEMENT: The NOA number preceded by the words Miami-Dade County, Florida, and followed by the expiration date may be displayed in advertising literature. If any portion of the NOA is displayed, then it shall be done in its entirety.

INSPECTION: A copy of this entire NOA shall be provided to the user by the manufacturer or its distributors and shall be available for inspection at the job site at the request of the Building Official.

This NOA consists of pages 1 through 5.

The submitted documentation was reviewed by *Freddy Semino*, 




NOA No.: 17-0329.07
Expiration Date: 08/23/21
Approval Date: 11/09/17
Page 1 of 5

ROOFING SYSTEM APPROVAL

Category: Roofing
Sub-Category: Ventilation
Material: Aluminum

TRADE NAMES OF PRODUCTS MANUFACTURED OR LABELED BY APPLICANT:

<u>Product</u>	<u>Dimensions</u>	<u>Test Specification</u>	<u>Product Description</u>
Tri-Built Wind Turbine 12” INT Brace NFA95	12" wide at base 17" high thickness: 0.025”	TAS 100(A)	Aluminum Turbine ventilation system available in Black, Brown, Mill and Weatherwood color.

MANUFACTURING LOCATION:

- Dallas, TX

EVIDENCE SUBMITTED:

<u>Test Agency</u>	<u>Test Identifier</u>	<u>Description</u>	<u>Date</u>
Architectural Testing	A9736.02-106-18	ASTM G 155/ASTM D 638 ASTM D 1929 ASTM D 635 ASTM D 2843	03/19/12
	A9736.01-801-18	TAS 100(A)	08/04/11

GENERAL LIMITATIONS:

- Refer to applicable building codes for required ventilation.
- Tri-Built Wind Turbine 12” INT Brace NFA95 turbine roof ventilators shall be installed over composition shingles roofs only.
- Tri-Built Wind Turbine 12” INT Brace NFA95 turbine roof ventilators shall not be installed on roof mean heights greater than 33 feet.
- All products listed herein shall have a quality assurance audit in accordance with the Florida Building Code and Rule **61G20-3** of the Florida Administrative Code.
- All approved products listed herein shall be labeled and shall bear the imprint or identifiable marking of the manufacturer's name or logo and following statement: "Miami-Dade County Product Control Approved" or the Miami-Dade County Product Control Seal as shown below.

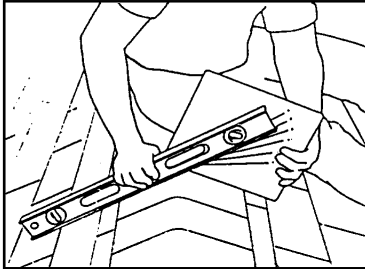


NOA No.: 17-0329.07
 Expiration Date: 08/23/21
 Approval Date: 11/09/17
 Page 2 of 5

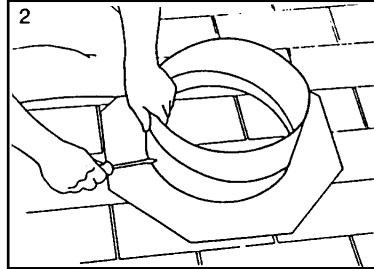
APPROVED APPLICATIONS

Tradename: Tri-Built Wind Turbine 12" INT Brace NFA95

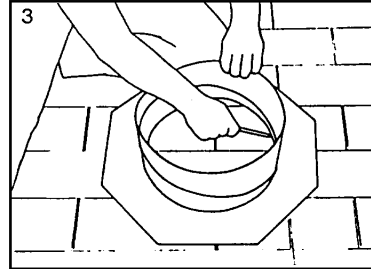
System Type : Mechanical attachment of turbine vent over composition shingles.



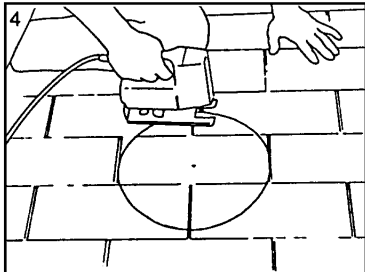
To determine roof pitch, stand pitch gauge on peak of roof. Place straight edge on opposite side of roof. Read roof pitch from printed gauge parallel to bottom of straight edge.



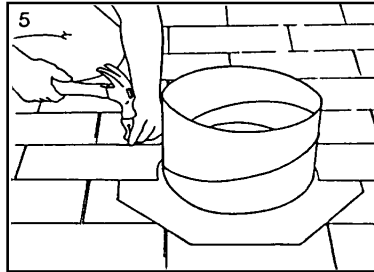
Turn bottom of collar clockwise to match roof pitch with indicator line on flashing. Place 3 screws through holes that align with predrilled base holes.



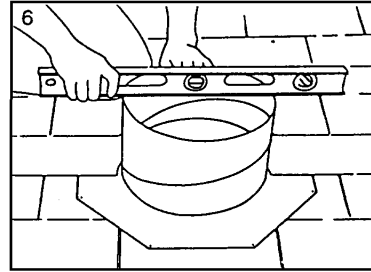
Choose location of turbine. Center between two rafters and mark hole to be cut.



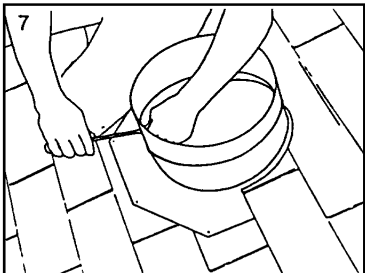
Cut hole as marked and seal around top and sides with roofing cement.



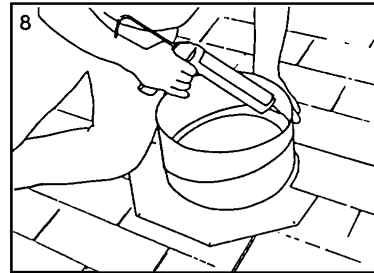
Slide top half of flashing under shingles all the way to the collar. Apply a 1/2" bead of caulk between the roof deck and the bottom face of the vent flange. Secure with (12) 1-1/4" x 3/8" galvanized ring shank nails.



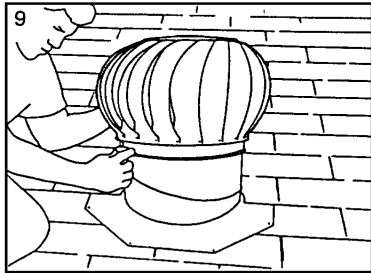
Turn top of collar counter-clockwise to a level position.



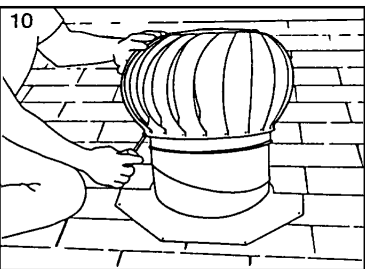
Place locking clamp across seam and tighten with machine screw.



Using caulk, fasten down any loose shingles. Using caulk, seal all seams and nails.



Position turbine onto the collar, locating the vertical legs into the collar slots. Install the #10 x 1" sheet metal screws through the vertical legs and into the entruded holes in the collar. Tighten the screw firmly, but do not over-tighten to the point that the screw strips out.

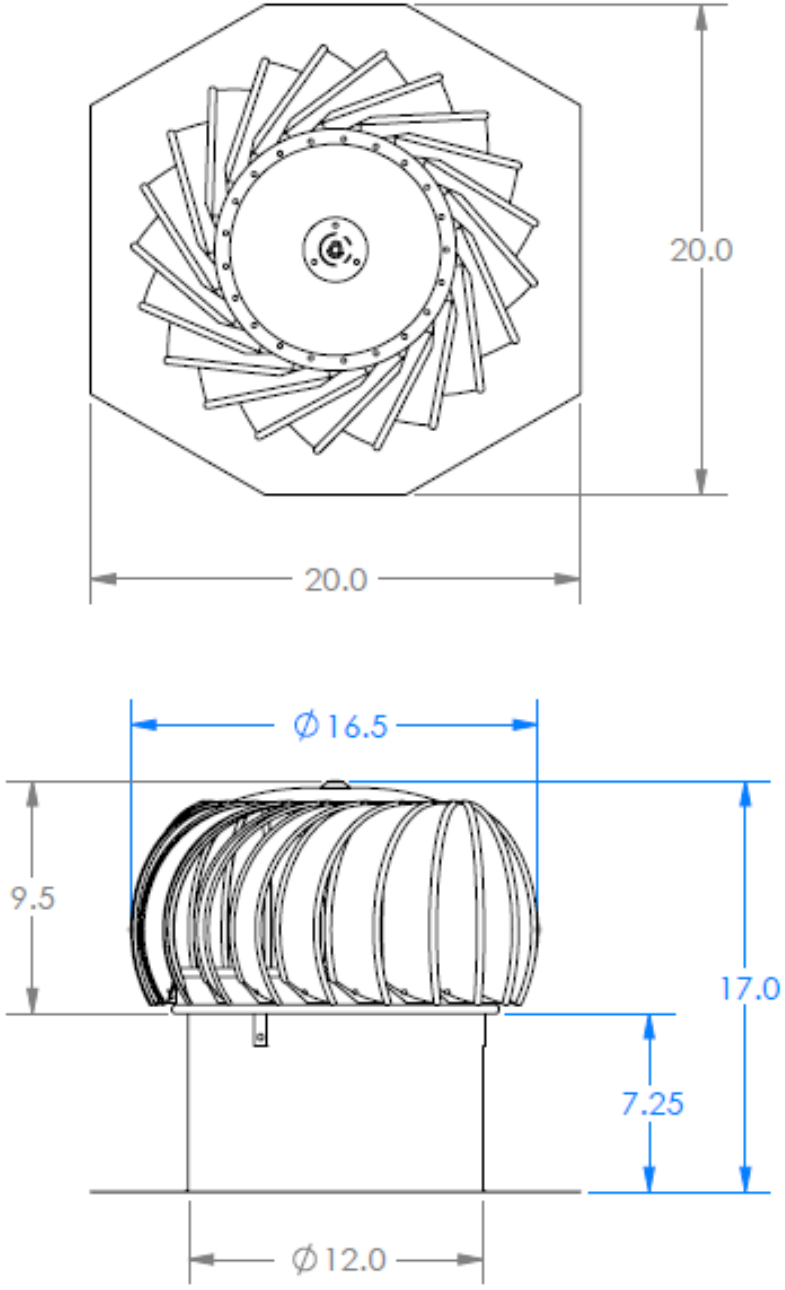


After completing installation, check to make sure the turbine turns freely. The turbine may have shifted in transportation. If necessary, gently pry lowest point of turbine upward to remove any wobble.

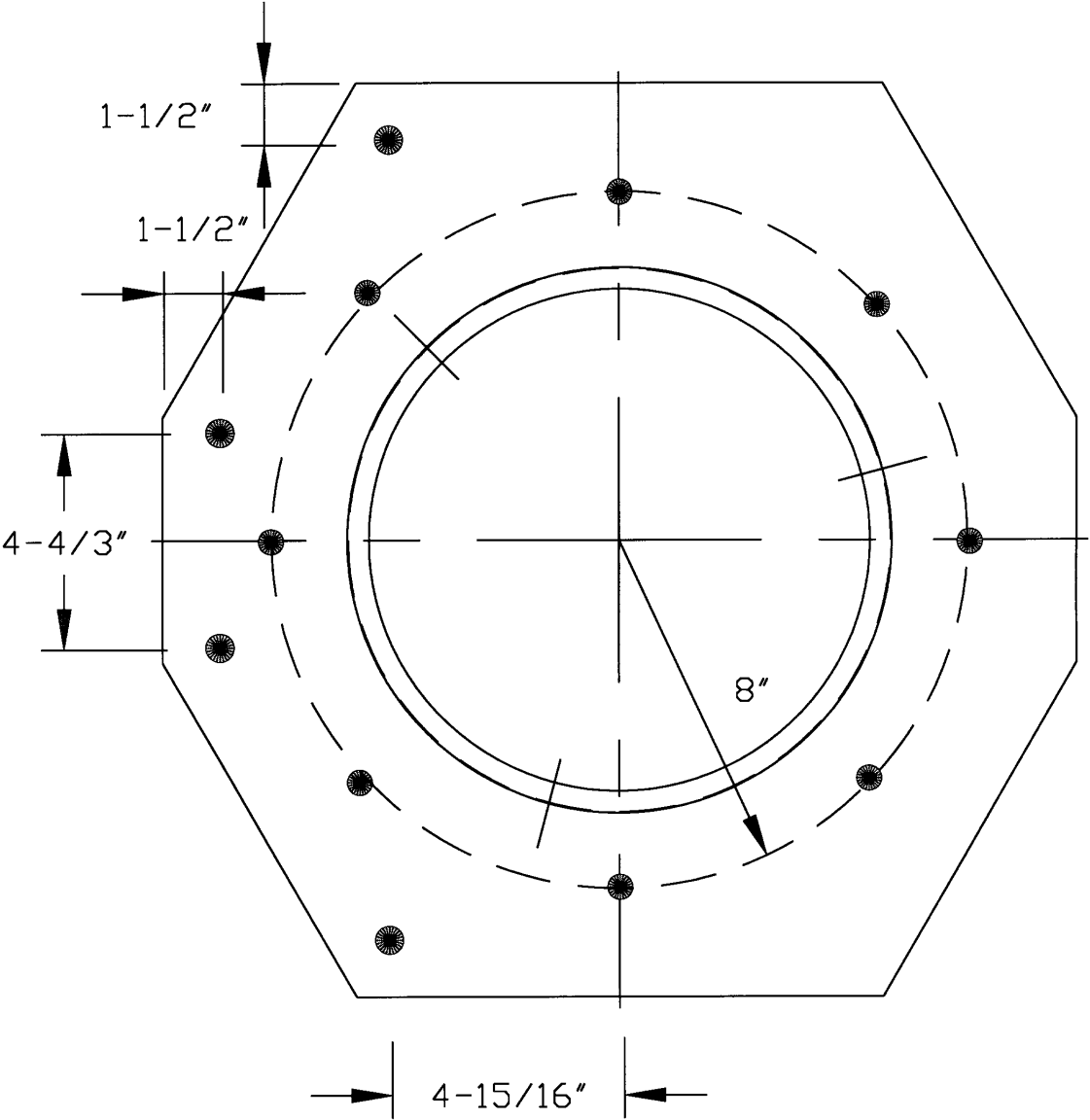
Net Free Area= See manufacturer's published literature



DETAIL A
Tri-Built Wind Turbine 12" INT Brace NFA95



**DETAIL B
BASE NAILING PATTERN**



LOWER END

UPPER END

END OF THIS ACCEPTANCE

